

## 1 BEFORE YOU START

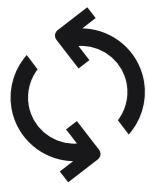
Thank you for choosing **Aventura/Trail**. This guide will teach you how to get the maximum out of your device.

First of all, we strongly recommend you to register your device. Using your personal computer, access the following site and follow the instructions:

[twonav.com/start](http://twonav.com/start)

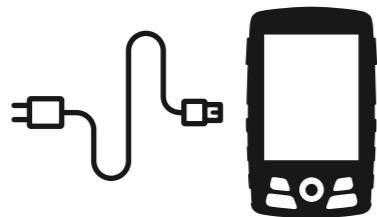
The registration process is very simple and will help you to keep your device updated and synchronized. Among several actions you will be able to:

- Activate **SeeMe** to share your current position
- Set up **emergency notifications (ICE)**
- Access **GO cloud**
- Install additional software for your **smartphone and computer**
- Install high quality **maps** of your country



## 2 INITIAL BOOT-UP

Charge the device by connecting it to the charger with the supplied USB cable.



When the unit is charged long press the 'Power' button to turn it on.



During boot up you will be able to set up the **Wi-Fi** connection.

Remember to connect the device to your Wi-Fi network so it can automatically carry out two important processes:

- **Update the TwoNav software of your GPS**
- **Synchronize all your data with GO cloud**

## 3 INTERFACE

### **Block button:**

Shutdown screen and block buttons

### **Map:**

Press on the map to activate the tools

### **Main menu:**

Manage the files and settings on your device

### **Activity control:**

Start, pause and finish an activity

### **PAGE button:**

- Short press: Show next data page
- Long press: Show main menu

### **BACK button:**

- Short press: 'Back' in menus / 'Re-center' in map
- Long press: Show map



### **Status:**

Press to check the status of the most frequently used features of the device (sensors, GPS...)

### **POWER button:**

Longpress: Turn GPS on / Turn GPS off

### **Data bar:**

Press to access the data pages

### **Contextual menu:**

Press to access options available for the current page

### **ZOOM+ button:**

Zoom in map

### **ZOOM- button:**

Zoom out map

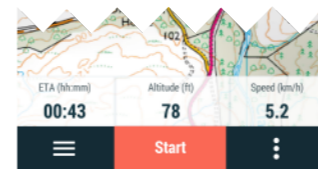
### **Joystick:**

- Move: Move map / menu
- Short press: Press to select

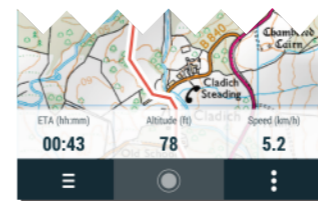
## 4 ACTIVITY CONTROL

Aventura/Trail features several types of **activities** such as follow a route, go to a waypoint or even workout.

Press 'Start' button to select the type of activity you want to perform.

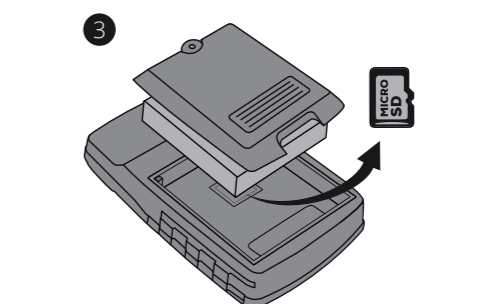
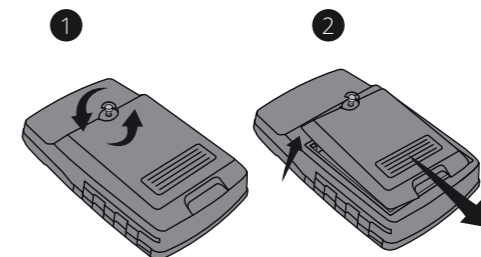


During the activity, 'Start' button will change its appearance. Press it again to pause or finish the activity.



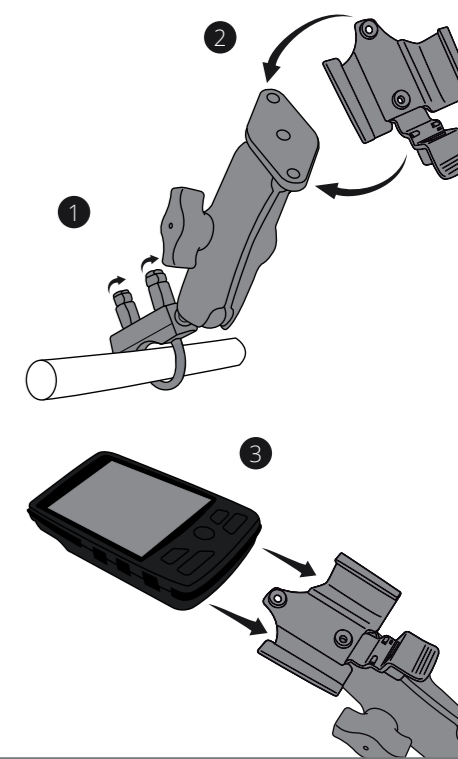
## 5 SET-UP

### BACK COVER (ONLY AVENTURA)



**Important:** MicroSD card is not included. Cradle and support are included depending on the model and available separately

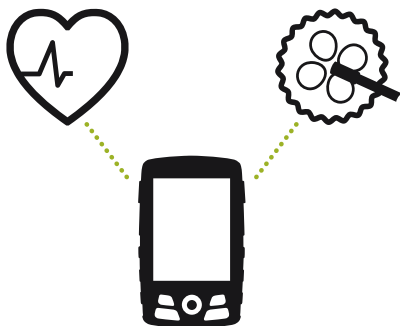
### MOUNTING ON VEHICLES



## 6 SENSORS

From 'Main menu > Settings > Sensors' you will be able to manage the connection to **BLE/ANT+™** sensors such as heart-rate monitors, cadence sensors and speed sensors.

### EXTERNAL SENSORS



To activate external sensors you must complete the pairing process.

**Important:** Please, ensure the sensors are installed and activated before pairing. You may have to moisten the heart-rate monitor or turn the pedals to activate them

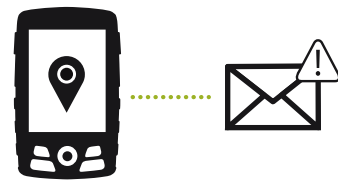
## 7 SeeMe

Your device features a wireless communications technology to share your position without having to rely on your smartphone.

**Broadcast:** If you activate this function in the status window, your contacts will be able to track your progress during your outings.



**Emergency:** Click the 'Emergency' button on the status window to send a help message to your emergency contact.



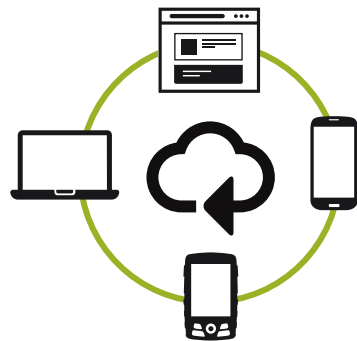
**Important:** In order to use SeeMe, you must activate the service at [twonav.com/start](http://twonav.com/start)

## 8 GO CLOUD

Just for being a TwoNav user, you have a personal storage area in **Go cloud** to save your data.

In order to sync your tracks with the cloud, activate the sync function from 'Main menu > Settings > GO cloud'

Syncing takes place when the device is connected via USB to a computer or wirelessly via Wi-Fi.



From [go.twonav.com](http://go.twonav.com) you will be able to manage your activities and share them on social media and Strava.

Remember that GO cloud is also synchronized with **Land**, the powerful software to plan and analyze your outdoor activities.

## 9 LAND

**Land software** (PC/Mac) is the perfect complement for Aventura/Trail.

Create and edit your own routes using maps from all over the world. Analyze every aspect of your activities and improve your performance.



With Land you will also be able to update and sync your device through USB connection as an alternative to wireless connection.

Download Land for free at [land.twonav.com](http://land.twonav.com)

## 10 WARRANTY

The warranty begins on the day of delivery of the product purchased from COMPEGPS TEAM SL or any official distributor of COMPEGPS TEAM SL and refers to all types of material damage or production defect that could arise under the normal use of the device. In the case of any claim it will be required to present the original proof of purchase provided together with the product. COMPEGPS TEAM SL and their authorized distributors reserve the right to refuse a warranty repair if these documents are not presented.

In case of a defect of a product of COMPEGPS TEAM SL which is covered by this warranty, COMPEGPS TEAM SL assures the repair or replacement within the limits of proportionality.

This warranty does not cover cells, batteries and other consumables. COMPEGPS TEAM SL does not warrant the precision of map material whose intellectual property belongs to third parties.

COMPEGPS TEAM SL does not accept responsibility for the cost of software configuration, loss of income, loss of software files or any other collateral damages. When proceeding to repair the product, COMPEGPS TEAM SL might be forced to delete the files stored on the device. Please ensure, before shipping the product, to have a backup of all the files of the device.

If during the repair it is discovered that the defect is not covered by the warranty, COMPEGPS TEAM SL reserves the right to invoice the customer for the expenses incurred by the repair in terms of materials used, work and other costs, after presenting a budget.

COMPEGPS TEAM SL does not warrant defects and damages caused by external factors or the user, such as accidental damages, inadequate use or modifications, refits, extensions, use of parts from other manufacturers, carelessness, viruses or software errors, inappropriate transport or packaging.

Warranty extinguishes in case that the defect of the products has been caused by maintenance or repair carried out by other parties than COMPEGPS TEAM SL or any technical service authorized by COMPEGPS TEAM SL for this product. The warranty also expires when the adhesive, safety seals or serial numbers of the product or an integral part of the same have been modified, manipulated or damaged in a way that makes them unreadable.

**Important:** Read all the legal conditions at [twonav.com](http://twonav.com)

**TwoNav**  
freedom to discover

Made in Spain



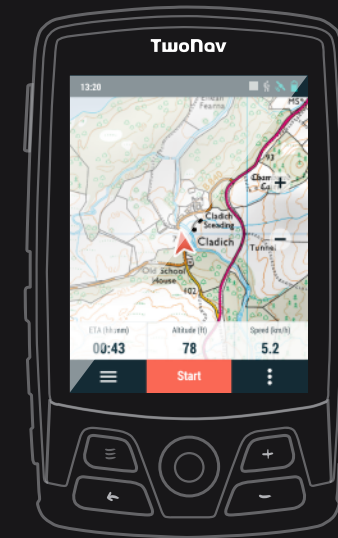
Manufactured by:  
COMPEGPS TEAM SL

[twonav.com](http://twonav.com)

Check us out on the social networks:



## QUICK GUIDE



**Aventura  
Trail**